



Project Name: \_\_\_\_\_  
 Bid #: \_\_\_\_\_  
 Type: \_\_\_\_\_

**EC-EVL2-48**

**Features**

- Level 2 charger ( 48A configurable to 16A)
- PC and ABS housing
- LED Indicator
- Indoor & Outdoor use
- SAEJ1772 charging plug
- Network Capable Wi-Fi, Ethernet, 4G
- Controllable OCPP Operation



Applications

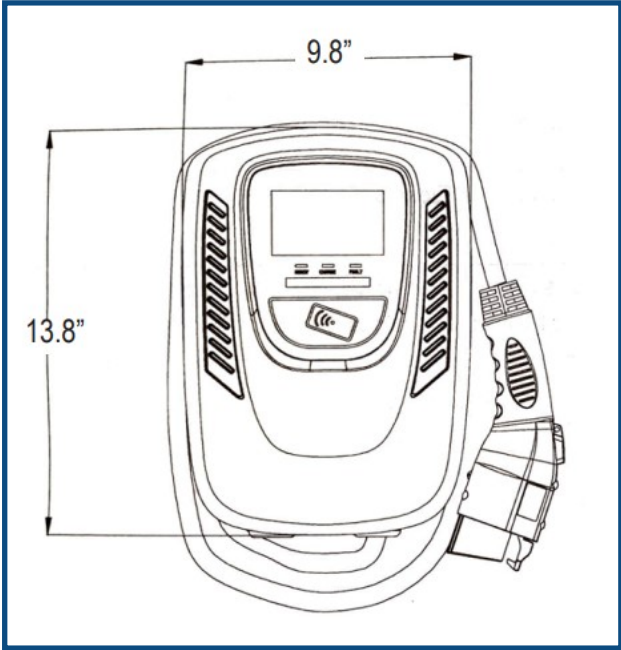
Private Home | Multi-Tenant | Hospitality | Shopping Centers

Series	Input Voltage	Amperage	Mounting	Charging Access
EC-EV10-48	208-240VAC	16A   32A 40A   48A	Wall Mounted	Free, Open Charging

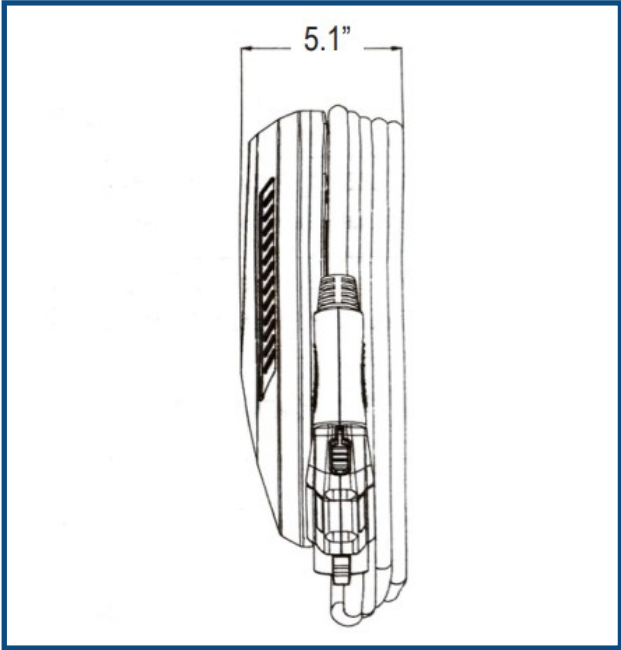
# Specifications

<b>Model No.</b>	<b>EC-EV10-48</b>
Input Voltage	208-240VAC
Frequency	47-63Hz
Amperage	16A   32A   40A   48A
Power Output	3.8kW   7.6kW   9.6kW   11.5kW
<b>Function</b>	
User Authentication	Software, APP, RFID (ISO 14443)
Network	LAN Standard (4G or Wi-Fi Optional)
Control Protocol	OCPP 1.6 J
<b>Protection &amp; Standard</b>	
Certificate	ETL & FCC
Charging Interface	SAE J1772 Compliant, Type 1 Plug
Defensive Protection	UVP, OVP, RCD (CCID 20), SPD, Ground Fault Protection OCP, OTP, Control Pilot Fault Protection
<b>Environmental</b>	
Operating Temperature	-22°F to 122°F
Indoor / Outdoor	IK08, Type 3 enclosure, Outdoor use
Relative Humidity	Up to 95% non-condensing
Cable Length	18ft
<b>Dimensions &amp; Weights</b>	
Product Dimensions	13.8" H x 9.8" W x 5.1" D
Net Weight	13.8lbs

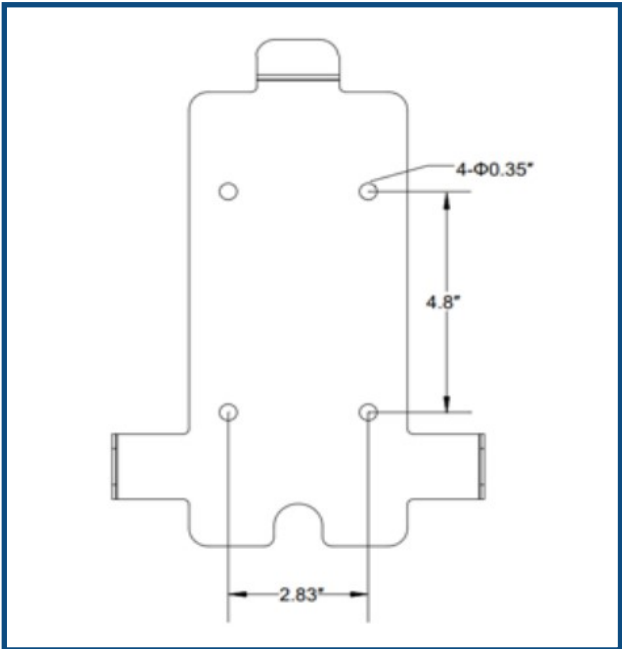
# Dimensions



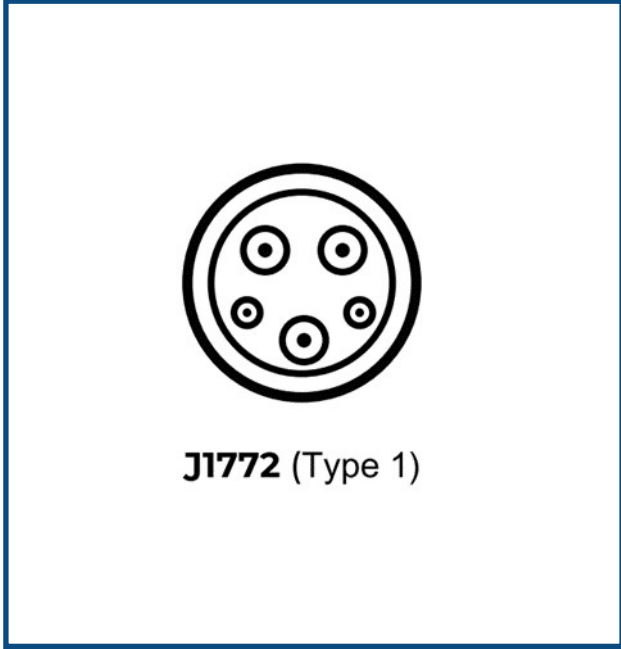
Front View



Side View



Wall Mounting Bracket (Included)



Plug Type