

Project Name: _____
 Bid #: _____
 Type: _____



EC-EVL2-80

Features

- Level 2 charger (70A, 80A output)
- PC and ABS housing
- LED Indicator
- Indoor & Outdoor use
- SAEJ1772 charging plug
- Network Capable Wi-Fi, Ethernet, 4G
- Controllable OCPP Operation



Applications

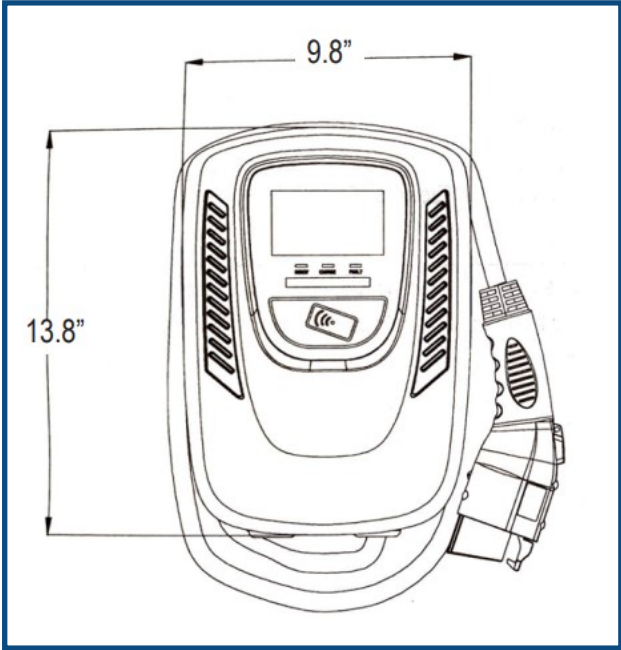
Commercial Use | Fleet Charging | Hospitality | Short Term Parking

Series	Input Voltage	Amperage	Mounting	Charging Access
EC-EVL2-80	208-240VAC	70A 80A	Wall Mounted	Network Charging

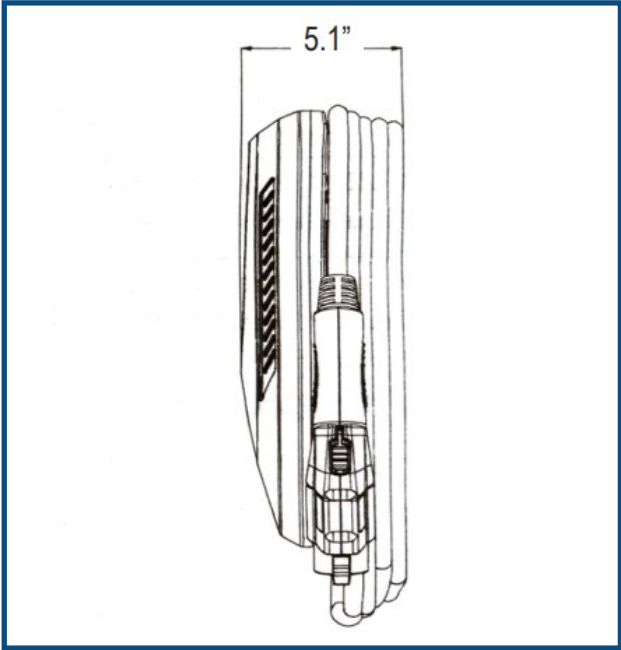
Specifications

Model No.	EC-EVL2-80
Input Voltage	208-240VAC
Frequency	60Hz
Amperage	70A 80A
Power Output	19.2kW
Function	
User Authentication	Software, APP, RFID (ISO 14443)
Network	LAN Standard (4G or Wi-Fi Optional)
Control Protocol	OCPP 1.6 J
Protection & Standard	
Certificate	ETL & FCC
Charging Interface	SAE J1772 Compliant, Type 1 Plug
Defensive Protection	UVP, OVP, RCD (CCID 20), SPD, Ground Fault Protection OCP, OTP, Control Pilot Fault Protection
Environmental	
Operating Temperature	-22°F to 122°F
Indoor / Outdoor	IK08, Type 3 enclosure, Outdoor use
Relative Humidity	Up to 95% non-condensing
Cable Length	18ft
Dimensions & Weights	
Product Dimensions	13.8" H x 9.8" W x 5.1" D
Net Weight	13.8lbs

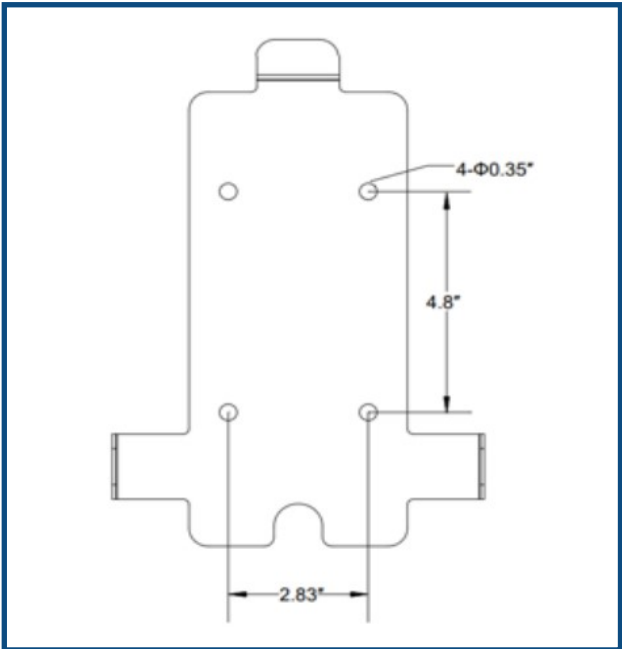
Dimensions



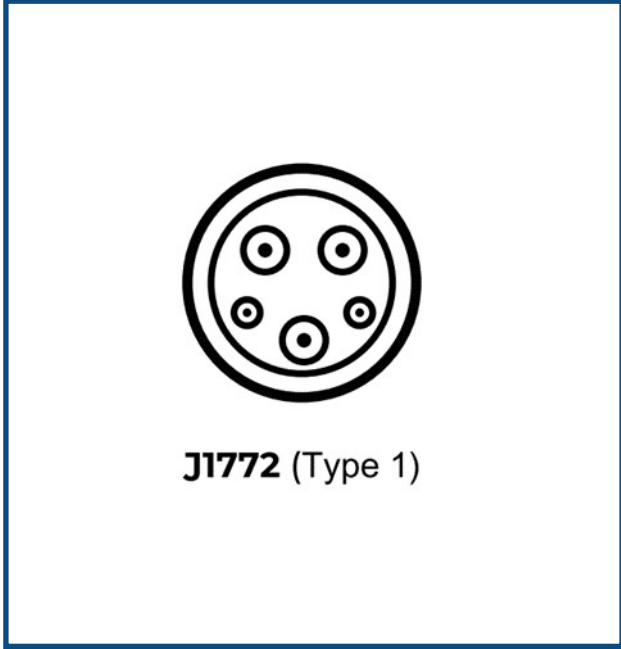
Front View



Side View



Wall Mounting Bracket (Included)



Plug Type